

GILBERT®

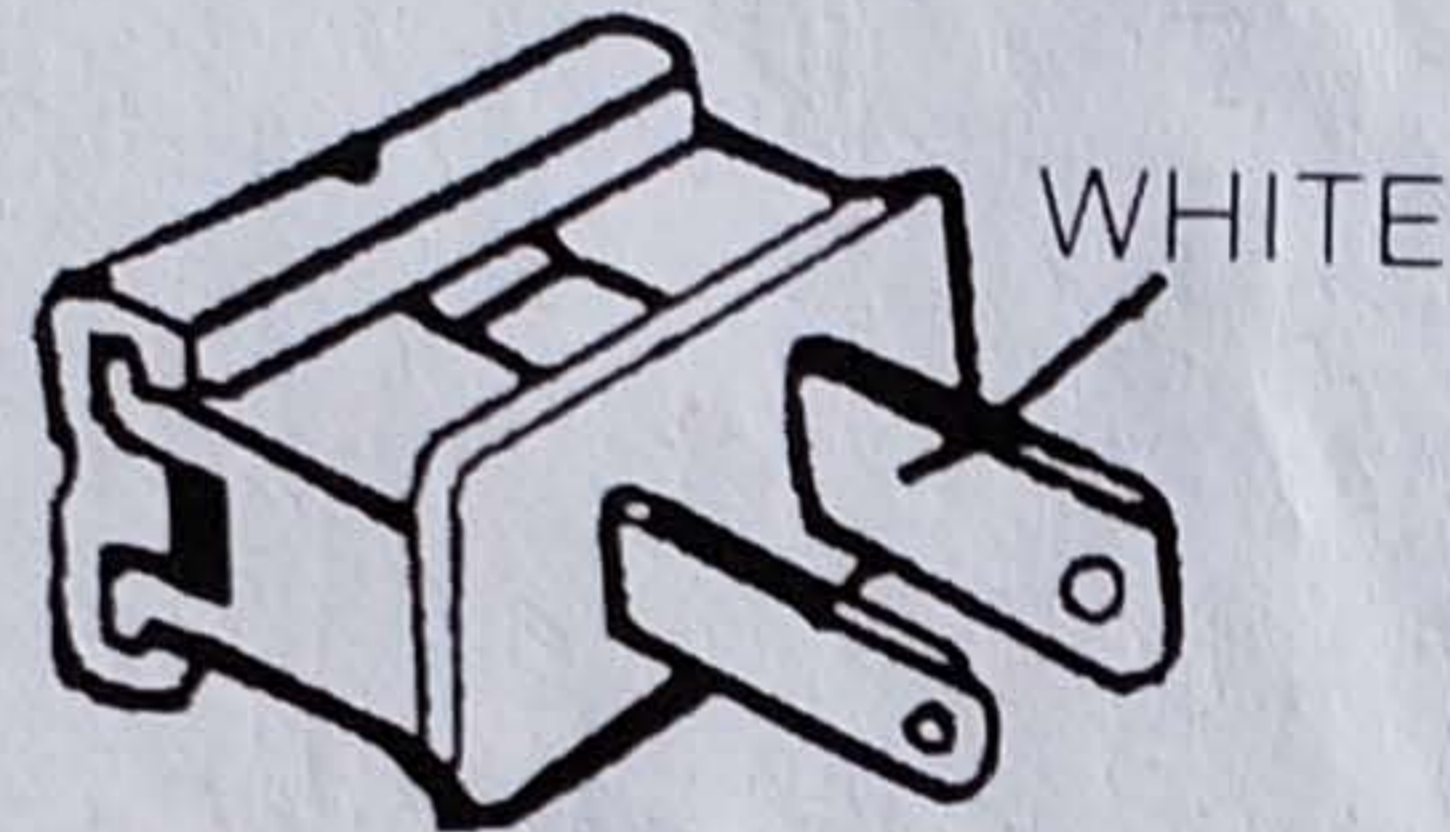
Polarized slide-on PLUG

Attaches in
seconds
without even
a screwdriver.

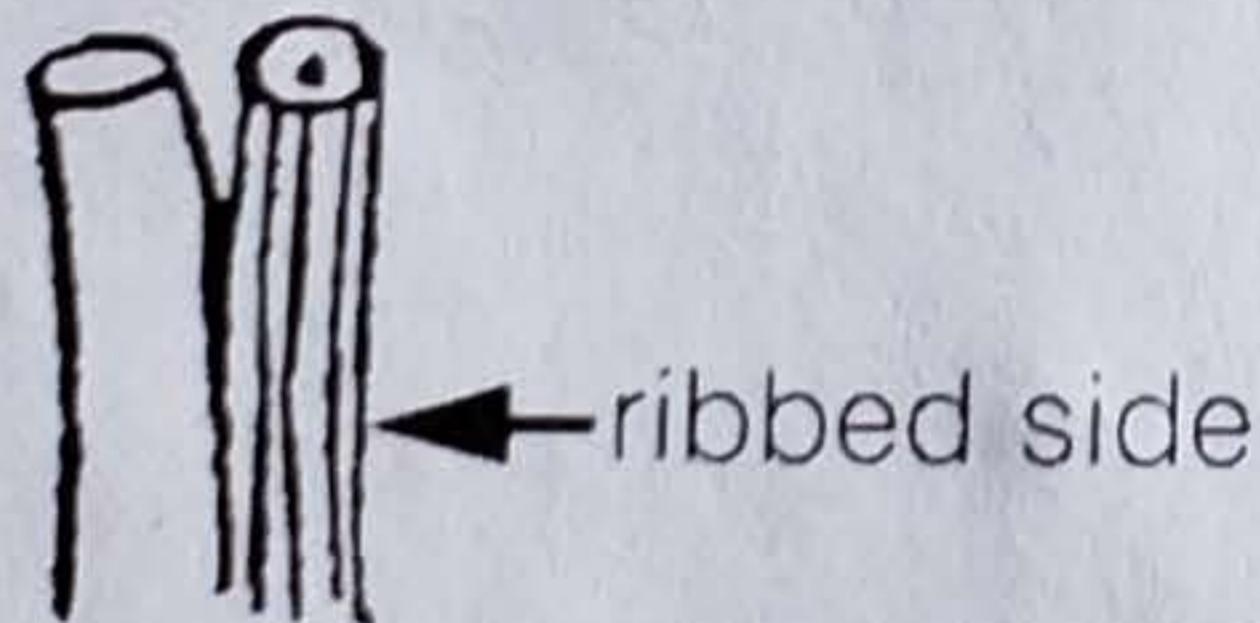
SPT1
and SPT2

Use only with standard
No. 18 SPT-1 parallel cord

WIRING INSTRUCTIONS



1. This is a polarized plug. One blade is wider and marked WHITE. This blade must be connected to ribbed side of wire.



2. CAUTION:
Cut wire end flush,
Separate wire 1/4"
(Do not strip wire.)

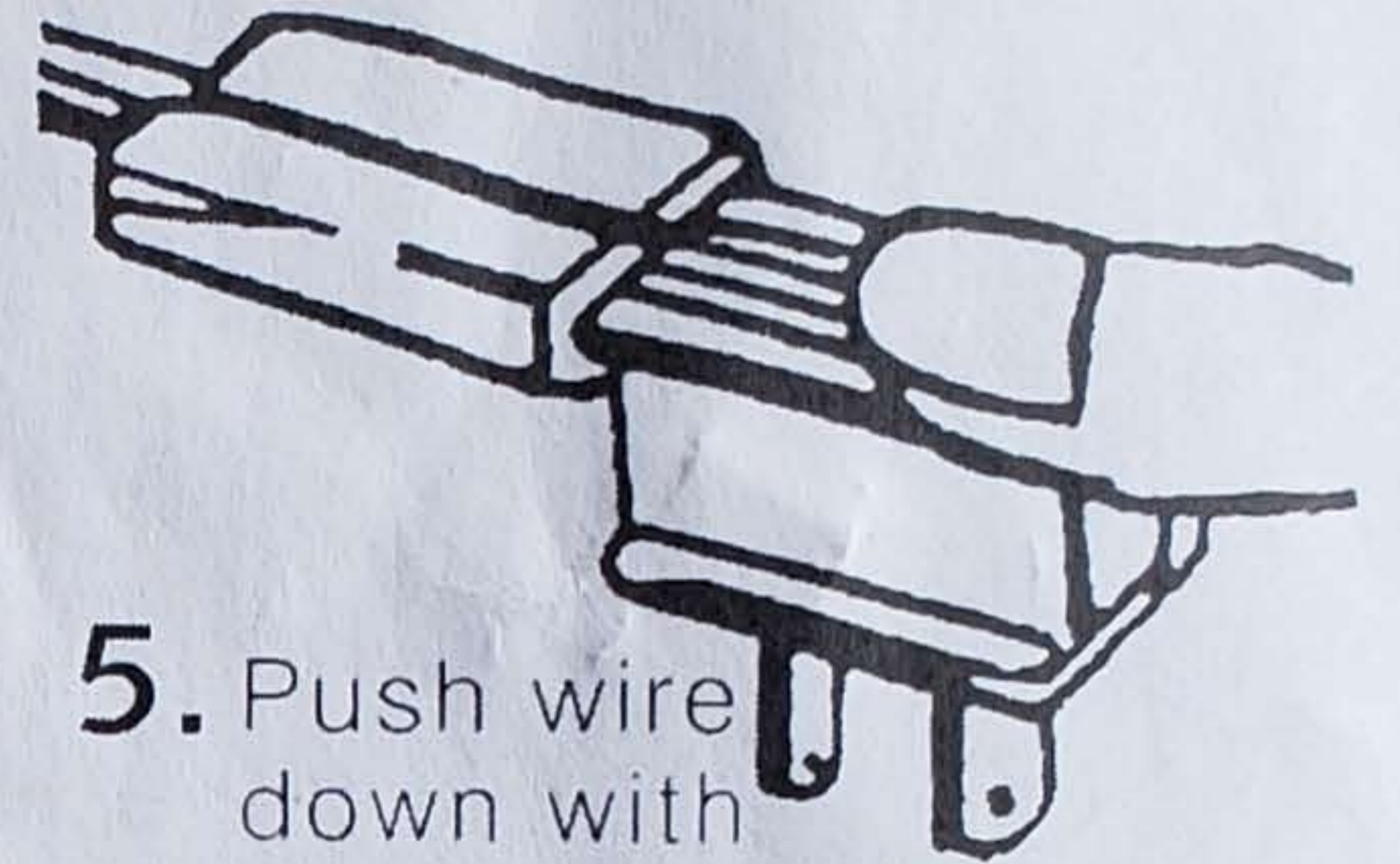


3. Remove cap.
Hold plug in position
as shown, Hold
wire with ribbed
side at bottom.



4. Bend end of
wire and push
into bottom of
groove.

Whenever exacting standards must be met Gilbert Safety Products are always specified. Gilbert plugs are standard equipment on most electrical products. From the standpoint of safety, economy, and durability, no finer plugs are made.



5. Push wire
down with
thumb and slide cap
completely into place.

CAUTION:
DO NOT USE ON TYPE
"TPT" EXTRA FLEXIBLE
CORD ON ELECTRICAL
SHAVERS OR TYPE "XT"
USED ON CHRISTMAS
LIGHT SETS. OR ANY
SMALL WIDTH CORDS.

DO NOT USE ON ANY
APPLIANCE RATED OVER
1250 WATTS (10 AMP AND
125 VOLTS).

CAUTION: Risk of electric shock. Proper polarization must be maintained. Examine the cord carefully before assembling this product. If one of the wires is marked with stripes, grooves or ridges on the outer surface of the insulation, attach that wire to the white colored terminal. If neither wire is marked, strip a small amount of wire from the end of both wires and check to see whether either of the wires is white in color. If so, the white wire should be connected to the white-colored terminal. After identifying the white wire, cut end of cord cleanly before attaching the wire to the terminals.